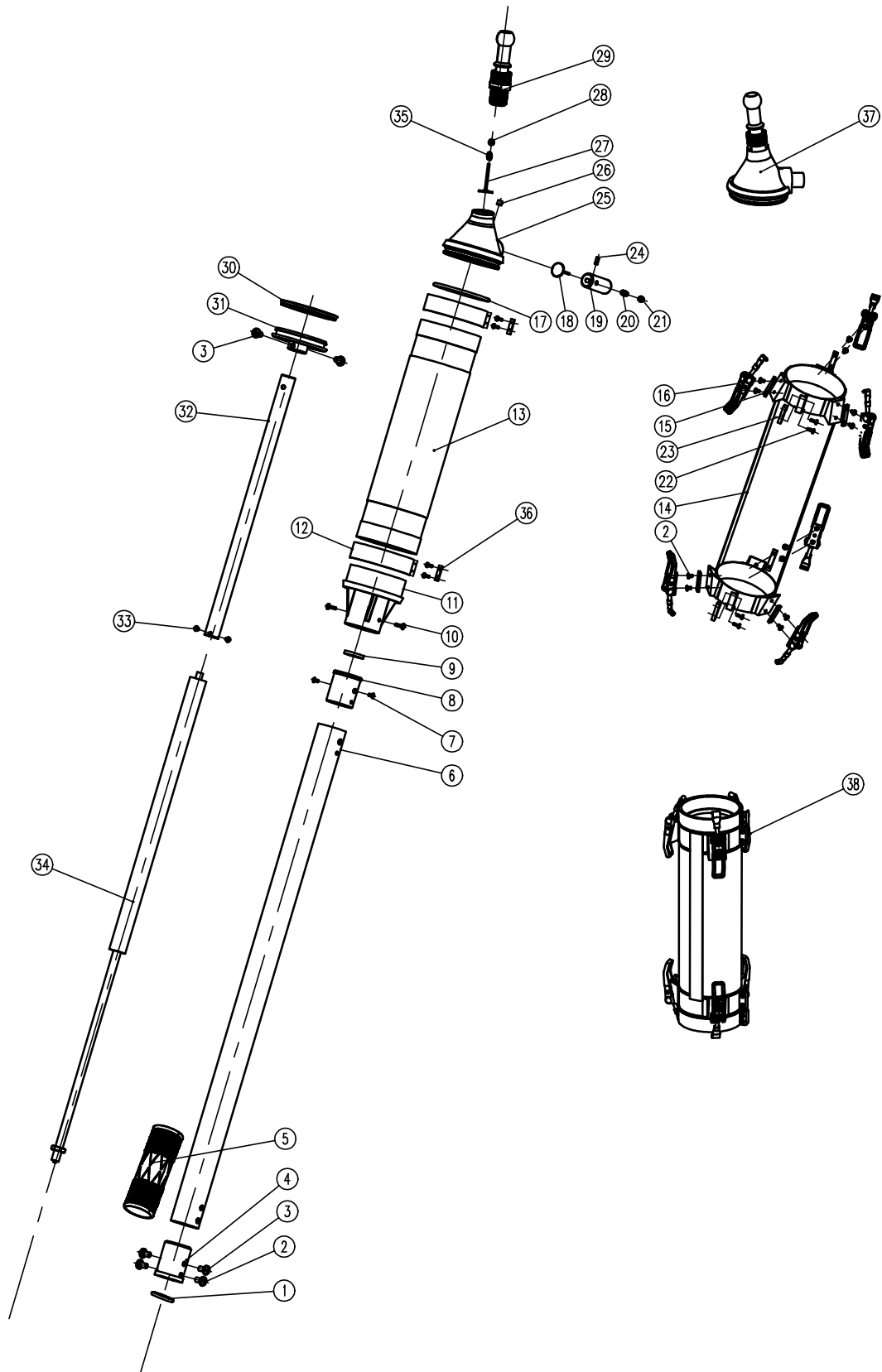


LEVEL 5



LEVEL 5**Level5 MiniShot**

Schematic Number	Part Description	Part Number
1	O' Ring	1101
2	screw	1102
3	screw	1103
4	Threaded Extension End	8104
5	Rubber Grip	1105
6	MiniShot Red Handle Tube	8106
7	screw	1107
8	Base	1108
9	MudShot/MiniShot U-Cup	1109
10	screw	1110
11	White Clear Tube Base	8111
12	Top/Bottom Support Band	1112
13	MiniShot Clear Tube	8113
14	MIniShot Band Assembly	8114
15	Latch Screw Bracket	1115
16	M. S./Pump Latch	9623
17	Top Cone O' Ring	1117
18	Filler Valve Stem	1118
19	Filler Valve Body	1119
20	Filler Spring	1120
21	nut	1121
22	screw	1122
23	Band Assembly Bracket	1123
24	Set Screw	1124
25	MIniShot Top Cone (White)	8125
26	Screw	1126
27	M. S. Valve Stem	1127
28	nut	1128
29	Nozzle Assembly	1130
30	Plunger Cup	1132
31	MiniShot Plastic Plunger	8133
32	Minishot Red Piston Rod	8134
33	screw	1136
34	MiniShot Gas Cylinder	8137
35	Spring	1138
36	Small Bracket for Support Band	1141
37	MiniShot Top Cone Assembly	8139
38	MiniShot Clear Tube Assembly	8140